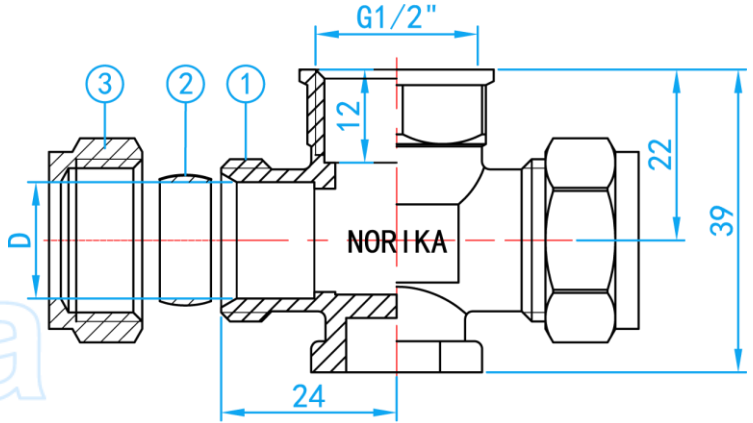
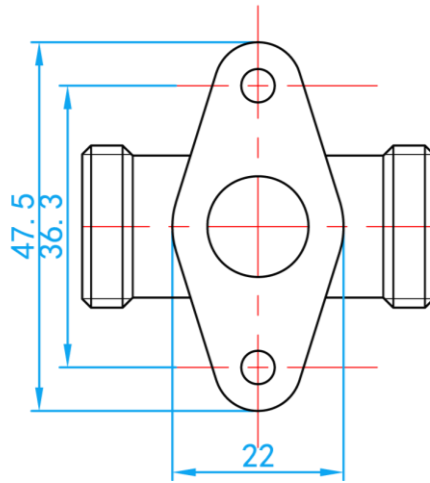


COMPRESSION [CXFI WALLPLATE] TEE

COMPLY WITH BSEN1254-2:1998



SECTION VIEW



SIDE VIEW OF BODY

COMPONENT PARTS

ITEM	PARTS	MATERIAL
1	Body	CR Brass
2	Ring	Brass
3	Nut	Brass

DIMENSIONS

SKU	D (mm)	WEIGHT (kg)	PCS/CTN
CRFT015	15	0.124	150